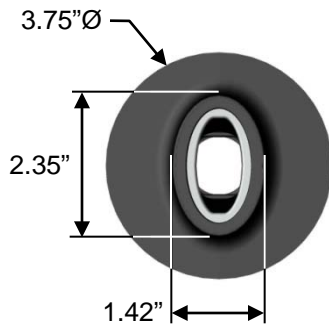
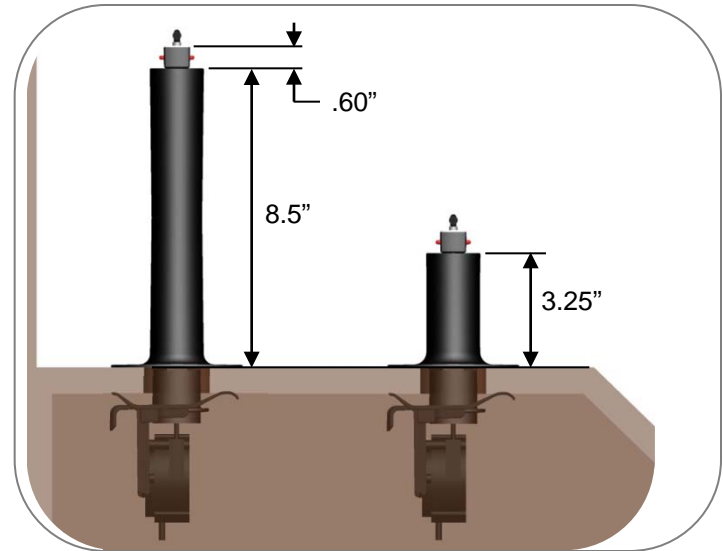


Copyright © 2010– Vanguard Products Group, Inc.
 All rights reserved. Confidential and proprietary information is contained in this document. Written permission must be given before the document or information can be copied, disclosed or used in any way.



Tall & Short



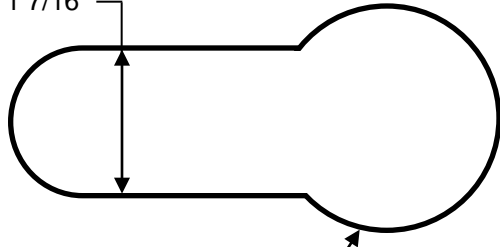
Copyright © 2010– Vanguard Products Group, Inc.

All rights reserved. Confidential and proprietary information is contained in this document. Written permission must be given before the document or information can be copied, disclosed or used in any way.

Slotted Fixtures (For VP-2510 & VP-2513 only)

Allows for rotating and fastening posts in any 45 degree angle. Uses posts octagon shaped base.

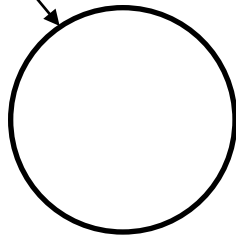
Slot Width 1 7/16"



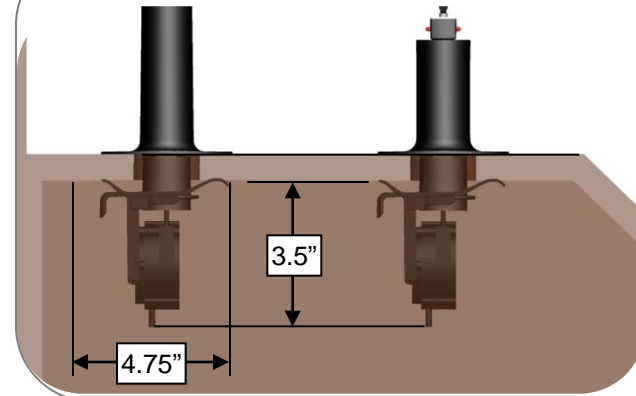
Entry opening needs to be at least 1 7/8"Ø

Hole Fixtures

1 7/8"Ø



Beneath Fixture

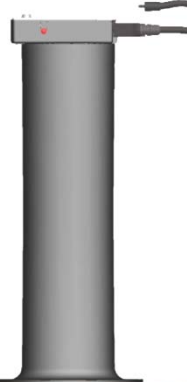


Part Numbers

VP-2510X
Silver

VP-2513X
Black

"X" Suffix	Fixture Thickness
No suffix	Sheet metal (.07")
H	1/2" thick
A	3/4" thick



VP-2509X
Silver

VP-2512X
Black



Copyright © 2010– Vanguard Products Group, Inc.

All rights reserved. Confidential and proprietary information is contained in this document. Written permission must be given before the document or information can be copied, disclosed or used in any way.